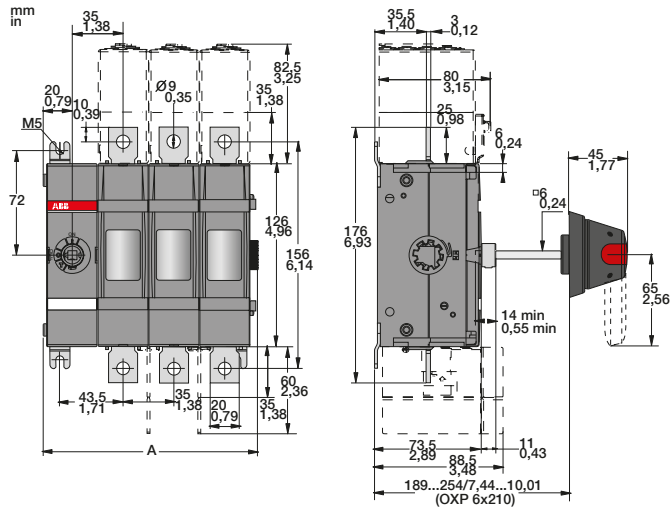


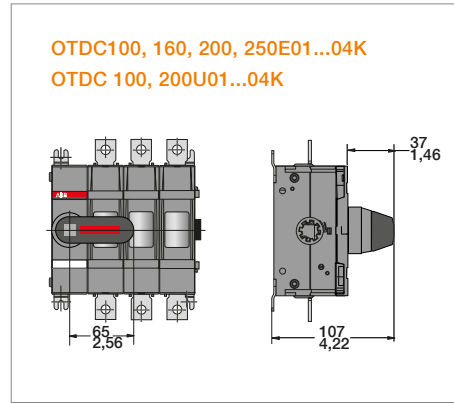
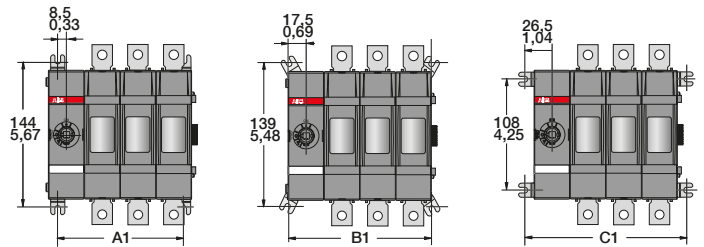
Dimension drawings Switch-disconnectors

OTDC100...250E02, OTDC100...200U02

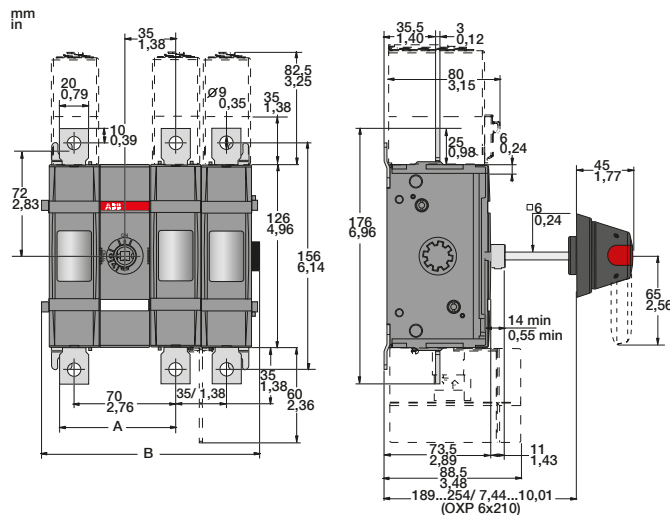


M00914/OTDC200-250E01-04

		OTDC100, 160, 200, 250E01...04			
		OTDC 100, 200U01...04			
[mm/in]		01	02	03	04
A		78/3,07	113/4,45	149/5,83	183/7,21
A1		52/2,05	87/3,43	122/4,81	157/6,18
B1		70/2,76	105/4,14	140/5,51	175/6,89
C1		88/3,46	123/4,85	158/6,22	193/7,6



OTDC100...250E11, OTDC100...200U11



M06415/OTDC200-250E11-22

		OTDC100, 160, 200, 250E11...22			
		OTDC100, 200U11...22			
[mm/in]		11	12	13	22
A		80/3,15	80/3,15	80/3,15	115/4,53
B		115,5/4,55	150,5/5,93	185,5/7,31	185,5/7,31
A1		87/3,43	122/4,81	157/6,18	157/6,18
A2		49,9/1,71	43,5/1,71	43,5/1,71	78,9/3,09
B1		105/4,14	140/5,51	175/6,89	175/6,89
B2		52,5/2,07	52,5/2,07	52,5/2,07	87,5/3,44
C1		123/4,85	158/6,22	193/7,6	193/7,6
C2		61,5	61,5	61,5	96,5

